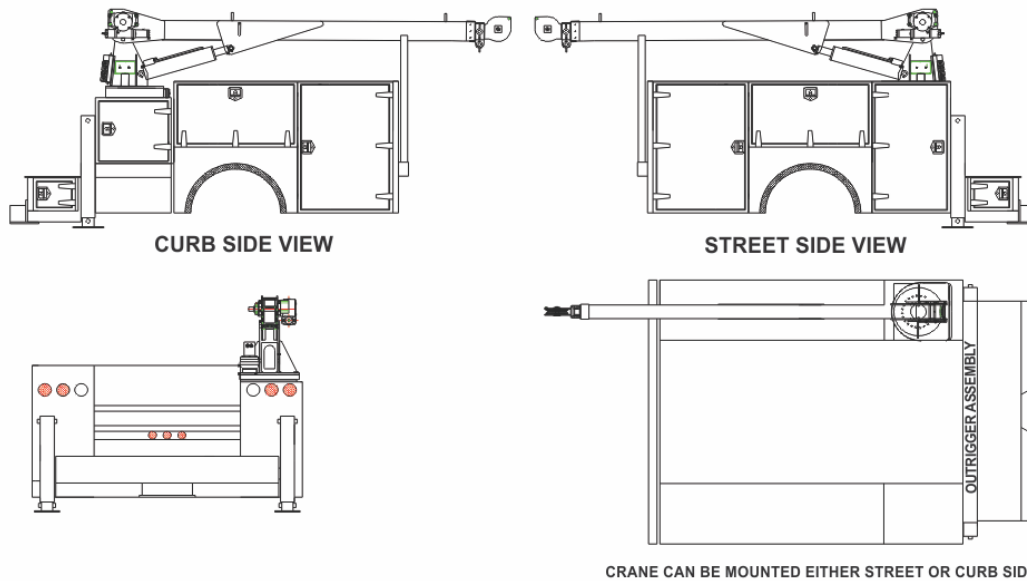


MECHANICS TRUCK – 9 FT ALUMINUM

**7001
SERIES**

TECHNICAL SPECIFICATIONS



SPECIFICATIONS

BODY RATING	38,000 FT-LB	
BODY WEIGHT	2063-2363 LB DEPENDING ON CONFIGURATION	
BODY WIDTH	96"	
SIDE HEIGHT	48"	
SIDE DEPTH	22"	
CARGO DECK WIDTH	51 1/4"	
WORK BENCH DEPTH	24"	
TAILGATE HEIGHT	10"	
ANGLE OF DEPARTURE	11 DEGREES	
STORAGE CAPACITY	145 CU FT	
CABINET DIMENSIONS	WIDTH	HEIGHT
CURB SIDE 1 ST	34"	48"
CURB SIDE 2 ND	NA	
CURB SIDE HORIZONTAL	44"	24"
CURB SIDE REAR	28"	48"
STREET SIDE 1 ST	34"	48"
STREET SIDE 2 ND	NA	
STREET SIDE HORIZONTAL	44"	24"
STREET SIDE REAR	27"	24" (CRANE CABINET)

JOMAC LTD
182 Scio Road
Carrollton, Ohio 44615

Phone: 800-755-4488
Fax: 330-627-2508
Website: www.JOMACLTD.com