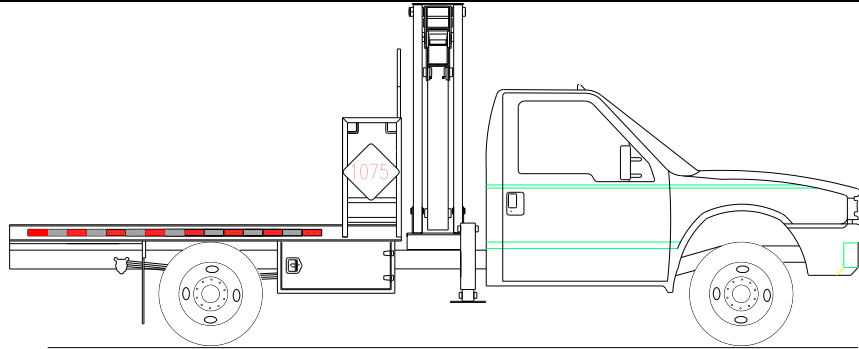


# LP SERVICE TRUCK – ALUMINUM BODY

5001 SERIES

## TECHNICAL SPECIFICATIONS



## SPECIFICATIONS

THE 5001 STANDARD BODY IS DESIGNED TO BE USED IN CONJUNCTION WITH A HFC3000 SERIES CRANE MOUNTED BEHIND THE CAB

BODY WIDTH	94"		
BODY HEIGHT	75"		
BODY LENGTH	120"		
STANDARD CABINET STORAGE CAPACITY	16 CU FT		
CAB TO AXLE REQUIRED	84"		
<b>CABINET DIMENSIONS</b>	<b>WIDTH</b>	<b>HEIGHT</b>	<b>DEPTH</b>
CURB SIDE 1 <sup>ST</sup>	36"	18"	22"
CURB SIDE 2 <sup>ND</sup>	NA		
CURB SIDE HORIZONTAL	NA		
CURB SIDE REAR	NA		
STREET SIDE 1 <sup>ST</sup>	36"	18"	22"
STREET SIDE 2 <sup>ND</sup>	NA		
STREET SIDE HORIZONTAL	NA		

**JOMAC LTD**  
182 Scio Road  
Carrollton, Ohio 44615

Phone: 800-755-4488  
Fax: 330-627-2508  
Website: [www.JOMACLTD.com](http://www.JOMACLTD.com)