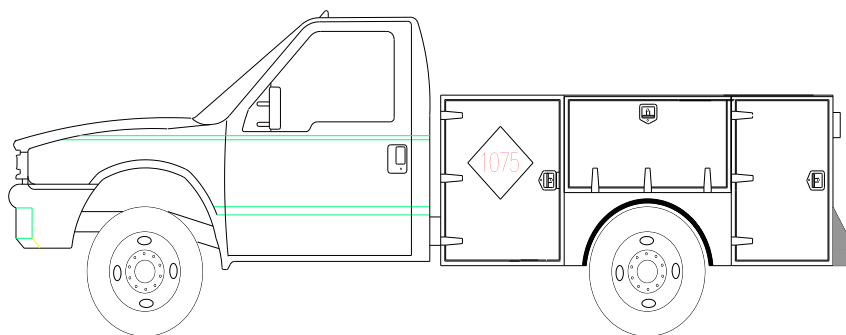
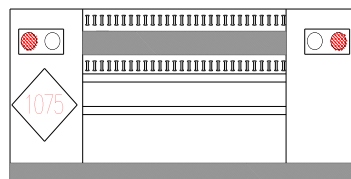
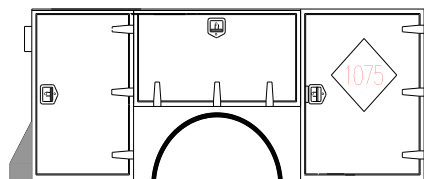


# LP SERVICE TRUCK – ALUMINUM BODY

**5009  
SERIES**

## TECHNICAL SPECIFICATIONS



## SPECIFICATIONS

THE 5009 STANDARD BODY IS DESIGNED TO BE USED IN CONJUNCTION WITH A HFC SERIES CRANE

BODY WIDTH	94"	
SIDE HEIGHT	42"	
SIDE DEPTH	20"	
CARGO DECK WIDTH	52 1/4" INCLUDES SUBTRACTING E-TRACK	
STANDARD CABINET STORAGE CAPACITY	166 SQ FT	
CAB TO AXLE REQUIRED	60"	
TAILGATE HEIGHT	10"	
<b>CABINET DIMENSIONS</b>	<b>WIDTH</b>	<b>HEIGHT</b>
CURB SIDE 1 <sup>ST</sup>	34"	42"
CURB SIDE 2 <sup>ND</sup>	NA	
CURB SIDE HORIZONTAL	46"	24"
CURB SIDE REAR	28"	42"
STREET SIDE 1 <sup>ST</sup>	34"	42"
STREET SIDE 2 <sup>ND</sup>	NA	
STREET SIDE HORIZONTAL	46"	24"
STREET SIDE REAR	28"	42"

**JOMAC LTD**  
182 Scio Road  
Carrollton, Ohio 44615

Phone: 800-755-4488  
Fax: 330-627-2508  
Website: [www.JOMACLTD.com](http://www.JOMACLTD.com)