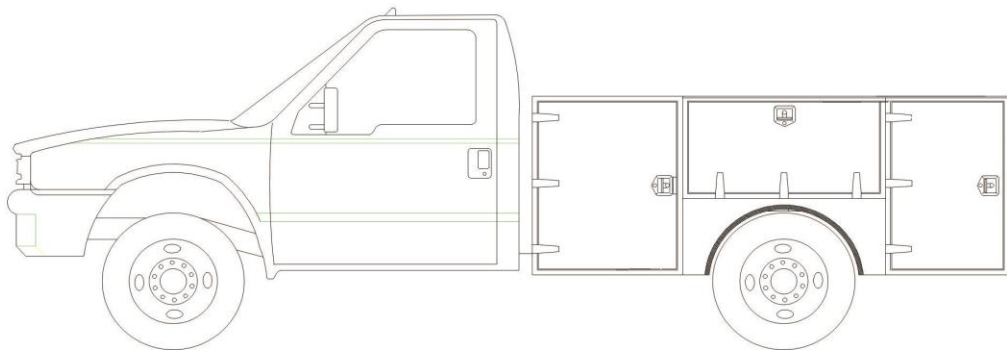
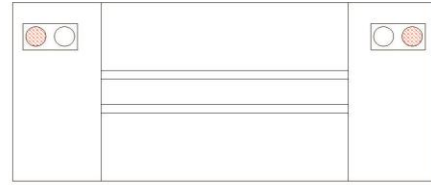
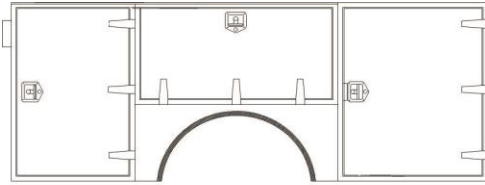


SERVICE TRUCK – 9 FT ALUMINUM

**4003
SERIES**

TECHNICAL SPECIFICATIONS



SPECIFICATIONS

CAB TO AXLE REQUIRED	60"	
BODY WIDTH	96"	
SIDE HEIGHT	42"	
SIDE DEPTH	20"	
CARGO DECK WIDTH	55 1/4"	
TAILGATE HEIGHT	10"	
STORAGE CAPACITY	166 SQUARE FEET	
CABINET DIMENSIONS	WIDTH	HEIGHT
CURB SIDE 1 ST	34"	42"
CURB SIDE 2 ND	NA	NA
CURB SIDE HORIZONTAL	46"	24"
CURB SIDE REAR	28"	42"
STREET SIDE 1 ST	34"	42"
STREET SIDE 2 ND	NA	NA
STREET SIDE HORIZONTAL	46"	24"
STREET SIDE REAR	28"	42"

JOMAC LTD
182 Scio Road
Carrollton, Ohio 44615

Phone: 800-755-4488
Fax: 330-627-2508
Website: www.JOMACLTD.com